

## Air heater type M50 / M50L 2,2 to 6,1 KW



**Function:** Air heater with external air supply by means of fan or compressed air.  
CAUTION !!! Device is not pressure-resistant !!!

**Configuration:** Default: Temperature control with potentiometer (1 – 8)  
 - alternatively with external potentiometer (cable length 5 meter) or  
 - external control by control unit or SPS (cable length 5 meter)  
 Device is equipped with a reliable heating element protection. The integrated device protection turns off the device when tripped and resets automatically after cooling down. A reset is not required.

**Features:** Special designs with internal thermocouple (cable length 1 or 5 meter)  
 - for devices with electronic equipment max. supply air temperature 50°C/122°F  
 - the unit is available without electronics (without heating element and device protection)  
 - for devices without electronic equipment max. supply air temperature 80°C/176°F

**Power:** 2,2 KW – 6,1 KW  
**Voltages:** 230 VAC; 400-440 VAC (2Ph)

### Technical data:

Type		M50						M50L		
		Potentiometer	5101795	5101801	5101796	5101806	5101810	5101812	5112685	5112688
Item number / basic versions	external control	on request	5101804	5108931	5113724	5101815	5101834	5112682	5101843	5101837
	without electronic	on request	5101803	5101802	5101809	5101832	5101813	5112683	5112689	5101839
<b>Voltage</b>	VAC	120	230		400 - 440 (2Ph)	440 (2Ph)	480 (2Ph)	230	400 – 440 (2Ph)	400 – 480 (2Ph)
<b>Frequency</b>	Hz	50 / 60								
<b>Power</b>	KW	2,2	3,6	4,5 – 5,4		4,0	4,4	4,5	6,1 – 7,4	4,6 – 6,6
<b>Current</b>	A	18,3	10,0	15,7	11,3 – 12,4		9,1	9,2	19,6	11,5 – 13,8
<b>Max. temperature</b>	°C/°F	650/1202								
<b>Min. air volume</b>	l/min	260		360	490	530	480	590	600	830
<b>Weight</b>	kg	0,8						0,9		
<b>Air intake</b>	Ø mm	38						30		
<b>Air outlet</b>	Ø mm	30								
<b>Heater tube</b>	Ø mm	50 / 65								
<b>Dimensions</b>	mm (L x W x H)	240 x 85 x 90						279 x 85 x 90		
<b>Conformity mark</b>		CE								
<b>Protection class II</b>		□								

## Ait heater type M50 / M50L 2,2 to 6,1 KW

Product description:	Connection scheme:			
		<p><b>Default with potentiometer</b></p> <p>N, L1 or L1, L2 = Main connection according to data plate</p>	<p>+ / - control cable</p>	<p><b>External control</b></p> <p>N, L1 or L1, L2 = Main connection according to data plate</p> <p>Digital signal (PWM max. 0,5Hz) 10-24VDC + = brown - = white</p>
<ol style="list-style-type: none"> <li>1. Cable fitting mains supply</li> <li>2. Potentiometer 0-8 (control cable for ext. control); (no Potentiometer for devices without electronic)</li> <li>3. Mounting on bottom of housing M 4 (screw depth 7 mm)</li> <li>4. Heating element pipe Ø50mm</li> <li>5. Cover</li> <li>6. Data plate</li> <li>7. Air intake Ø38mm</li> </ol>		<p><b>Version without electronics</b></p> <p>N, L1 or L1, L2 or L1, L2, L3 = Main connection according to data plate</p>	<p><b>Version without electronics</b></p> <p>N, L1 or L1, L2 or L1, L2, L3 = Main connection according to data plate</p>	

### Air heater type M50 / M50L 2,2 to 6,1 KW

#### Available versions:







Item No.	Description
<b>5101795</b>	<b>Air heater M50 120 VAC 2,2 KW with Potentiometer</b>
<b>5101801</b>	<b>Air heater M50 230 VAC 2,2 KW with Potentiometer</b>
5101804	Air heater M50 230 VAC 2,2 KW externally controllable (PWM 12-24 VDC, 1 Hz) with 5.0m control cable (2-pin)
5101803	Air heater M50 230 VAC 2,2 KW without electronics
<b>5101796</b>	<b>Air heater M50 230 VAC 3,6 KW with Potentiometer</b>
5108931	Air heater M50 230 VAC 3,6 KW externally controllable (PWM 12-24 VDC, 1 Hz) with 5.0m control cable (2-pin)
5101802	Air heater M50 230 VAC 3,6 KW without electronics
<b>5101810</b>	<b>Air heater M50 440 VAC 2Ph 4,0 KW with Potentiometer</b>
5101815	Air heater M50 440 VAC 2Ph 4,0 KW externally controllable (PWM 12-24 VDC, 1 Hz) with 5.0m control cable (2-pin)
5101832	Air heater M50 440 VAC 2Ph 4,0 KW without electronics
<b>5101812</b>	<b>Air heater M50 480 VAC 2PH 4,4 KW with Potentiometer</b>
5101834	Air heater M50 480 VAC 2PH 4,4 KW externally controllable (PWM 12-24 VDC, 1 Hz) with 5.0m control cable (2-pin)
5101813	Air heater M50 480 VAC 2Ph 4,4 KW without electronics
<b>5101806</b>	<b>Air heater M50 400-440 VAC 2Ph 4,5-5,4 KW with Potentiometer</b>
5113724	Air heater M50 400-440 VAC 2Ph 4,5-5,4 kW externally controllable (PWM 12-24 VDC, 1 Hz) with 5.0m control cable (2-pin)
5101809	Air heater M50 400-440 VAC 2Ph 4,5-5,4 KW without electronics
<b>5112685</b>	<b>Air heater M50L 230 VAC 4,5 KW with Potentiometer</b>
5112682	Air heater M50L 230 VAC 4,5 KW externally controllable (PWM 12-24 VDC, 1 Hz) with 5.0m control cable (2-pin)
5112683	Air heater M50L 230 VAC 4,5 KW without electronics
<b>5112686</b>	<b>Air heater M50L 400-440-480 VAC 2Ph 4,6-6,6KW with Potentiometer</b>
5101837	Air heater M50L 400-440-480 VAC 2Ph 4,6-6,6 KW externally controllable (PWM 12-24 VDC, 1 Hz) with 5.0m control cable (2-pin)
5101839	Air heater M50L 400-440-480 VAC 2Ph 4,6-6,6 KW without electronics
<b>5112688</b>	<b>Air heater M50L 400-440 VAC 2Ph 6,1-7,4KW with Potentiometer</b>
5101843	Air heater M50L 400-440 VAC 2Ph 6,1-7,4 KW externally controllable (PWM 12-24 VDC, 1 Hz) with 5.0m control cable (2-pin)
5112689	Air heater M50L 400-440 VAC 2Ph 6,1-7,4 KW without electronics

## Ait heater type M50 / M50L 2,2 to 6,1 KW

### Available modifications:

Item number	Type	Modification
5005005.1	S02	External potentiometer for heating including 5m control line; 3 pole; Potentiometer is soldered to the end of the cable; including potentiometer knob red;
<b>The basic device for this modification is always standard with a potentiometer</b>		
5005021.4	S05	Internal PID control via internal potentiometer without digital display;
5005021.5		Internal PID control via internal potentiometer without digital display for type M50L;
5005010.4	S06	Internal thermocouple including 2m compensation cable with open ends green (+) white (-);
5005010.5		Internal thermocouple including 2m compensation cable with open ends green (+) white (-) for type M50L;
5005019	S13	Instead of the potentiometer for devices WITHOUT electronics, a 1/4 "compressed air hose connection 6/4mm is installed; This is used to monitor the pressure in the housing;
5005008	S15	A push-in nipple for air hose 8/6mm is mounted on the air connection
5005036.3	S23	Device with tube adapter without protective tube; Standard is with protective tube;
5005036.4		Device with tube adapter without protective tube; Standard is with protective tube for type M50L;
5700141	S31	100% heating output with heating element protection for type S/M (for basic device without electronics);

### Accessories:

Item no.	Description
5107254	 Flange connector
5107256	 Angles nozzle ø 50 mm length 160 x 100mm
5107255	 Extension tube 36,5 x 160mm
5107258	 Wide slot nozzle 70 x 10mm
5107274	 Wide slot nozzle 130 x 17mm
5107270	 Wide slot nozzle 150 x 12mm

### Ait heater type M50 / M50L 2,2 to 6,1 KW

#### Combination possibilities for devices WITH electronic \*:

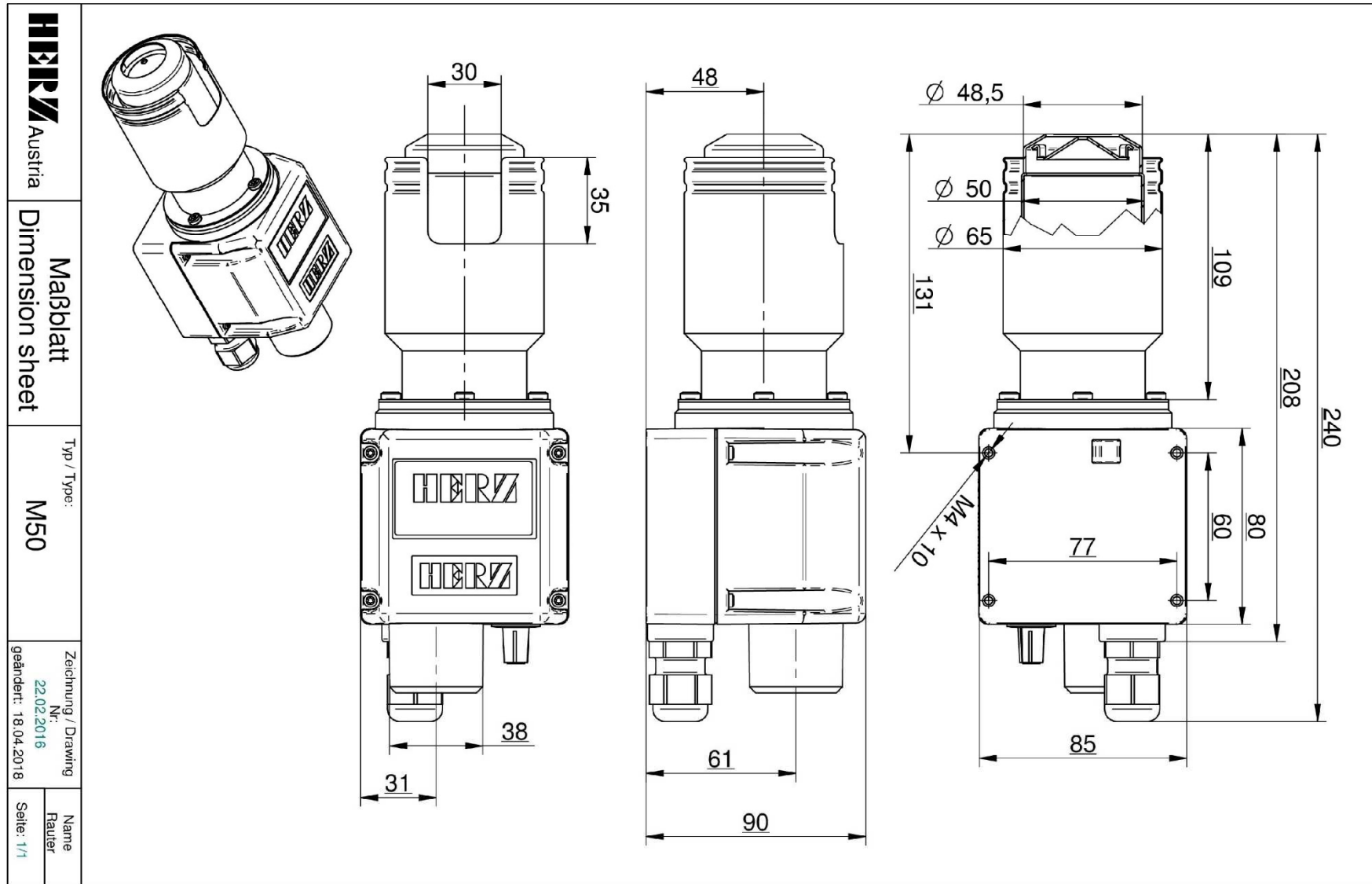
**Measuring point:** 3.0 mm after the air outlet pipe adapter – without nozzle, measured at the hottest point  
**Hose length:** 1,0 m  
**Air supply:** Blower 400 Volt, 50 Hz (HD = High pressure blower, MD = Medium pressure blower)  
**Air flow:** NI / min = standard liters per minute according to DIN 1343

**CAUTION:** Air flow and temperature are indicative which can change due to external influences and changes air hose diameter and length!

Blower type	Quantity, air heater type, voltage, power	Air flow at 50 Hz with heating [NI / min.]	Maximum temperature at 50 Hz [°C/°F]
HD140	1 x M50; 230VAC; 3,7KW	950	310/590
	2 x M50; 230VAC; 3,7KW	2 x 630	450/842
	4 x M50; 230VAC; 3,7KW	4 x 360	580/1076
HD240	4 x M50; 230VAC; 3,7KW	4 x 870	330/626
	8 x M50; 230VAC; 3,7KW	8 x 490	510/950
MD10	2 x M50; 230VAC; 3,7KW	2 x 300	600/1112
MD14	2 x M50; 230VAC; 3,7KW	2 x 350	580/1076
HD140	1 x M50; 400-440VAC(2Ph); 4,5-5,4KW	970	370/698
	2 x M50; 400-440VAC(2Ph); 4,5-5,4KW	2 x 630	540/1004
MD14	4 x M50; 400-440VAC(2Ph); 4,5-5,4KW	2 x 320	650/1202
	8 x M50; 400-440VAC(2Ph); 4,5-5,4KW	8 x 310	650/1202
HD140	1 x M50L; 400VAC(2Ph); 6,1KW	780	560/1040
HD240	1 x M50L; 400VAC(2Ph); 6,1KW	1440	350/662
	2 x M50L; 400VAC(2Ph); 6,1KW	2 x 1110	410/770
	4 x M50L; 400VAC(2Ph); 6,1KW	4 x 770	540/1004

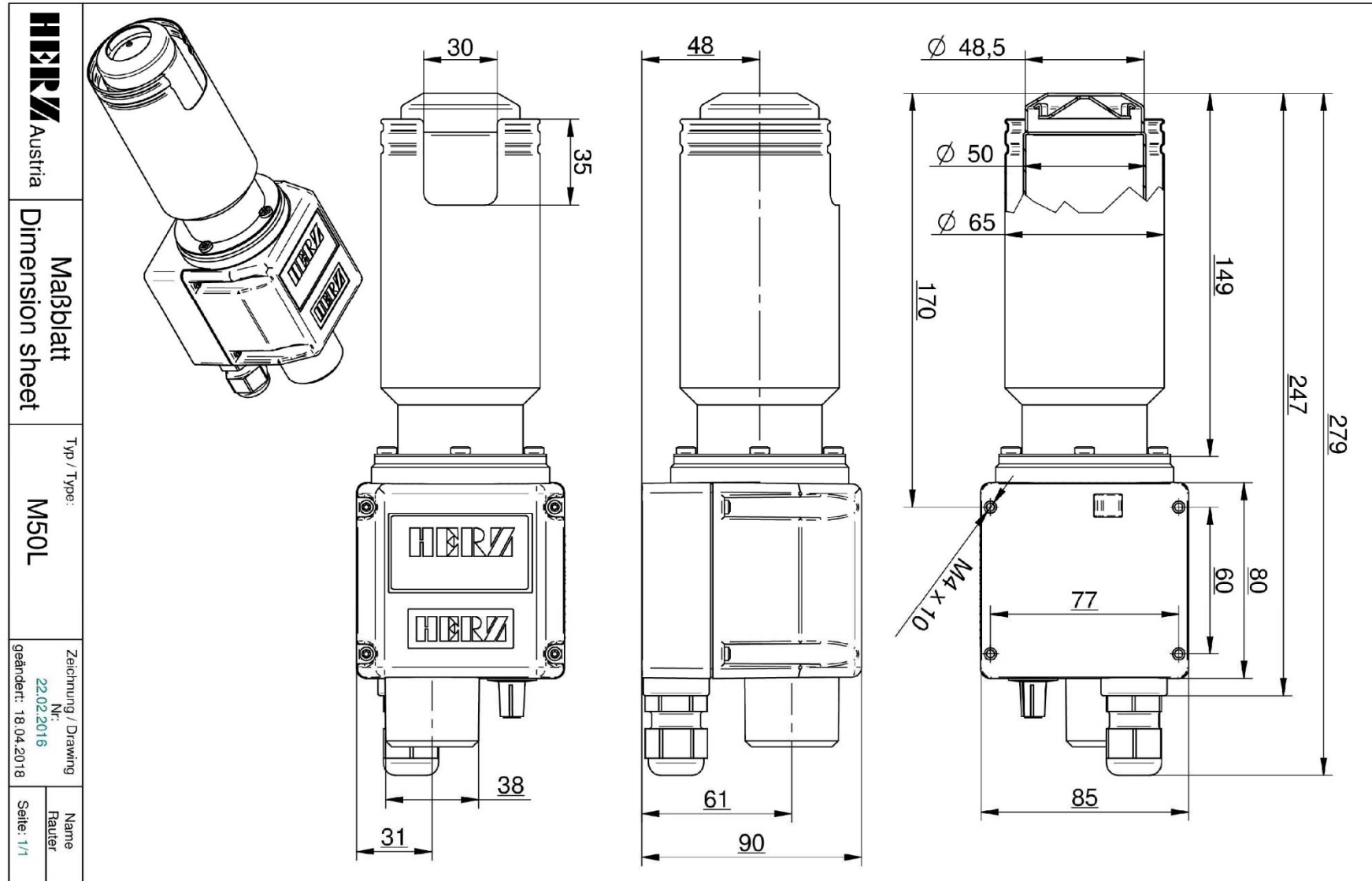
\*Data without guarantee

Ait heater type M50 / M50L 2,2 to 6,1 KW



Änderungen vorbehalten / Changes reserved

Air heater type M50 / M50L 2,2 to 6,1 KW



Änderungen vorbehalten / Changes reserved

## Air heater type M50 / M50L 2,2 to 6,1 KW

### **HERZ** GmbH

Kunststoff- & Wärmetechnologie  
Biberweg 1  
DE – 56566 Neuwied  
Tel.: +49 (0)2622-8855-0  
Fax: +49 (0)2622-8855-135  
Fax: +49 (0)2622-8855-136  
www.herz-gmbh.com  
info@herz-gmbh.com

### **HERZ** Austria GmbH

Kunststoff- & Wärmetechnologie  
Gleinser Weg 27  
AT – 6141 Schönberg / Tirol  
Tel.: +43 (0)5225-63113  
Fax: +43 (0)5225-6311385  
www.herz-austria.at  
herz.schoenberg@herz-gmbh.com

### **HERZ** Hungária Kft.

Műanyag- és hőlégtéchnika  
Pesti út 284  
HU – 2225 Üllő  
Tel.: +36 (06)29-522400  
Fax: +36 (06)29-522410  
www.herz-hungaria.hu  
herz@herz-hungaria.hu

### **HERZ** Bulgaria OOD

Boul. Assen Yordanov 10  
BG – 1592 Sofia  
Tel.: +359 (0)2-9790351  
www.herz-bulgaria.com  
office@herz-bulgaria.com

### **HERZ** GmbH

Kunststoff- & Wärmetechnologie  
Am Arenberg 26A  
DE – 86456 Gablingen  
Tel.: +49 (0)8230-85085  
Fax: +49 (0)8230-85087  
www.herz-gmbh.com  
robert.einberger@herz-gmbh.com

### **HERZ** Austria GmbH

Kunststoff- & Wärmetechnologie  
Johann-Galler-Str. 20 IZ – NÖ – Nord  
AT – 2120 Wolkersdorf i. Weinviertel  
Tel.: +43 (0)2245-82494-0  
Fax: +43 (0)2245-82494-9  
www.herz-austria.at  
herz.wolkersdorf@herz-gmbh.com

### **HERZ** Polska Sp.z o. o.

Technologie obróbki tworzyw sztucznych  
Ul. Kostrzyńska 30  
PL – 02-979 Warszawa  
Tel.: +48 (0)22-8428583  
Fax: +48 (0)22-8429700  
www.herz-polska.pl  
herz@herz-polska.pl