

## Air heater type PN10 to 17,0 KW

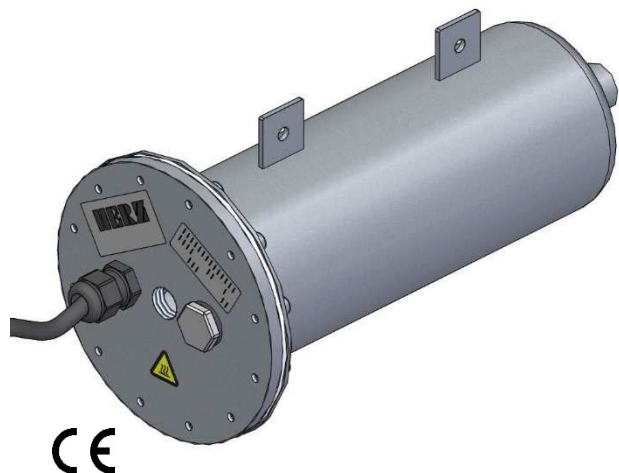


Illustration can deviate

**Function:** Air heater with external air supply in compressed air systems.

**Configuration:** Standard: temperature control with potentiometer (behind pressure screw)  
 - alternatively with an external potentiometer (cable length 5 meters) or  
 - external control by controller or PLC (cable length per meter)

The device is equipped with reliable heating element and device protection. The integrated device protection switches the device off when it is triggered, the error message must be reset with a "Reset" on the "-L" and "-XL" models.

**Features:** Special version with internal thermocouple (cable length 1 or 5 meters)  
 - For devices with electronics, maximum supply air temperature 50°C/122°F  
 - Device can be delivered without electronics (without heating element and device protection)  
 - For devices without electronics, maximum supply air temperature 80°C/176°C

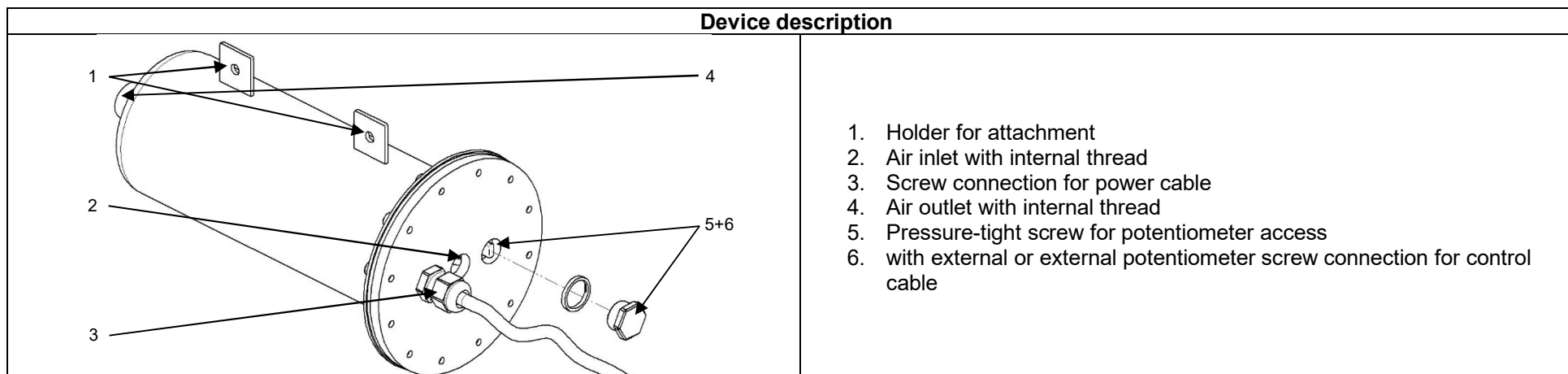
**Power:** 2,3 KW – 17,0 KW  
**Voltage:** 230 VAC; 400-440-480 VAC

### Technical data:

Air heater type		PN10 - S				PN10 - M		PN10 - XL		
Item number/Basic version:	Potentiometer	5201198	5201190	5710099	on request	5201191	5201192	5201194	5201193	on request
	external control	on request	5201199	on request	on request	on request	on request	on request	on request	5201197
	without electronic	on request	on request	on request	on request	on request	on request	on request	on request	on request
<b>Voltage</b>	VAC	230		400(2Ph)	480(2Ph)	230	400-480(2Ph)	400-480		400
<b>Frequency</b>	Hz	50 / 60								
<b>Power</b>	KW	2,3	3,3	3,3		3,6	4,6 – 6,6	5,9 – 8,5	11,8 – 17,1	17,0
<b>Current</b>	A	10,0	14,3	8,3	6,9	15,7	11,5 – 13,8	8,5 – 10,2	17,0 – 20,6	24,5
<b>Max. temperature</b>	°C/°F	650/1202								
<b>Min. air volume</b>	l/min	280	420			360	490	560	950	1480
<b>Max. pressure supply air</b>	bar	10,0								
<b>Weight</b>	kg	4,7				16,5		24,0		
<b>Air intake (IG)</b>	Ø Zoll	½"				1"		2"		
<b>Air outlet (IG)</b>	Ø Zoll	½"				1"		2"		
<b>Dimension</b>	mm (L x Ø)	321 x 160				445 x 285		582 x 340		
<b>Conformity mark</b>										
<b>Protection class I</b>										

## Air heater type PN10 to 17,0 KW

## Device description



1. Holder for attachment
2. Air inlet with internal thread
3. Screw connection for power cable
4. Air outlet with internal thread
5. Pressure-tight screw for potentiometer access
6. with external or external potentiometer screw connection for control cable

**Note for air heater type PN10 – L/XL:**

After activation of the heating element and / or equipment protection is indicated on the devices with electronics has a relay contact this disorder. The built-in relay, will give the following model with the terminals 1-3 (3), a potential-free changeover contact. This signal can only be a "reset" back off, that is, the device must be energized.

**Measures in case the heating element and protection:**

Unit from the mains, after 3 seconds automatically reset the electronics. Check the air supply (air flow, pressure, fan filter). Restore power supply.

**Available Versions:**

Item no.	Description
5201198	<b>Air heater type PN10-S 230 VAC 2,3 KW with Potentiometer (hidden); pressure resistant up to 10 bar</b>
5201190	<b>Air heater type PN10-S 230 VAC 3,3 KW with Potentiometer (hidden); pressure resistant up to 10 bar</b>
5201196	Air heater type PN10-S 230 VAC 3,3 KW externally controllable with Potentiometer (red knob) and 5,0m control cable; pressure resistant up to 10 bar
5201199	Air heater type PN10-S 230 VAC 3,3 KW externally controllable 5m Kabel pressure resistant up to 10 bar with TC, not for external potentiometer
5700099	Air heater type PN10-S 400 VAC 2Ph 3,3 KW pressure resistant up to 10 bar
On request	Air heater type PN10-S 480 VAC 2Ph 3,3 KW pressure resistant up to 10 bar
5201191	<b>Air heater type PN10-M 230 VAC 3,6 KW pressure resistant up to 10 bar</b>
5201192	<b>Air heater typ PN10-M 400 - 480 VAC 2Ph 4,6 – 6,6 KW pressure resistant up to 10 bar</b>
5201194	<b>Air heater type PN10-XL 400 - 480 VAC 5,9-8,5 kW pressure resistant up to 10 bar</b>
5201193	<b>Air heater type PN10-XL 400-480 VAC 11,8-17,1 kW pressure resistant up to 10 bar</b>
5201197	<b>Air heater type PN10-XL 400 VAC 17,0 kW externally controllable (PWM 12-24 VDC; 1 Hz) with 5,0m control cable (2-pol.); pressure resistant up to 10 bar</b>

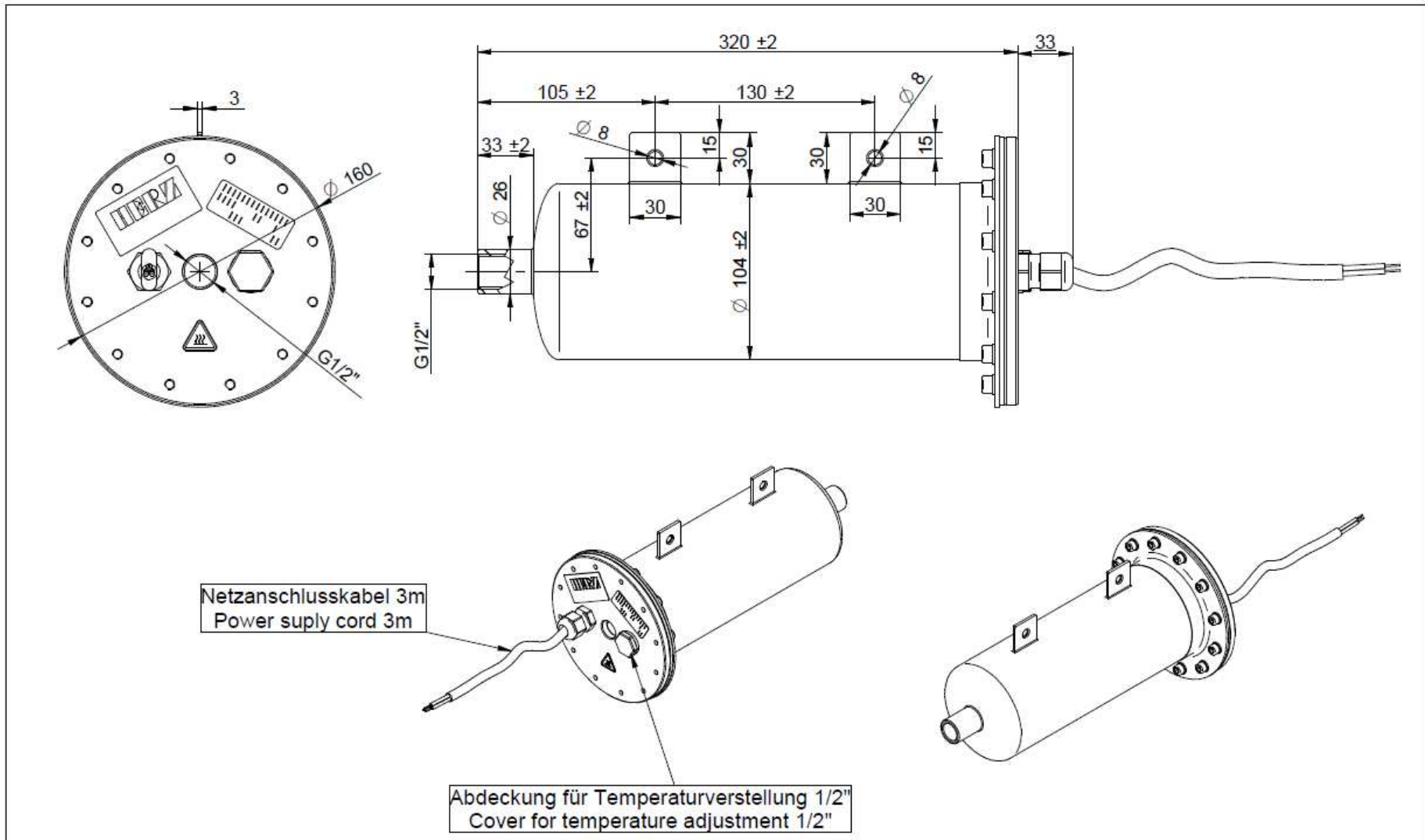
## Air heater type PN10 to 17,0 KW

### Available modifications:

Item number	Type	Modification	
5005005.1	S02	For PN10-S and PN10-M	External potentiometer for heating including 5m control line; 3 pole; Potentiometer is soldered to the end of the cable; including potentiometer knob red;
5005014		For PN10-XL	
5005021.3	S05	For PN10-S	Internal PID control via internal potentiometer without digital display;
5005021.4		For PN10-M	
5005021.5		For PN10-M(L)	
5005021.7		For PN10-XL	
5005010.3	S06	For PN10-S	Internal thermocouple including 2m compensation cable with open ends green (+) white (-);
5005010.4		For PN10-M	
5005010.5		For PN10-M(L)	
5005010.7		For PN10-XL	
5005033	S20	For PN10-XL	The device has no electronics but has a built-in solid state relay; there is a 2-pole connection terminal for connecting the control line; exclusive control cable;
5700141	S31	100% heating output with heating element protection for air heater type S/M (for basic device without electronics);	
		For PN10-S	External control (PWM 12 - 24VDC, cycle time 1 Hz)
		For PN10-M	
		For PN10-XL	

**The basic device for this modification is always standard with a potentiometer**

Air heater type PN10 to 17,0 KW

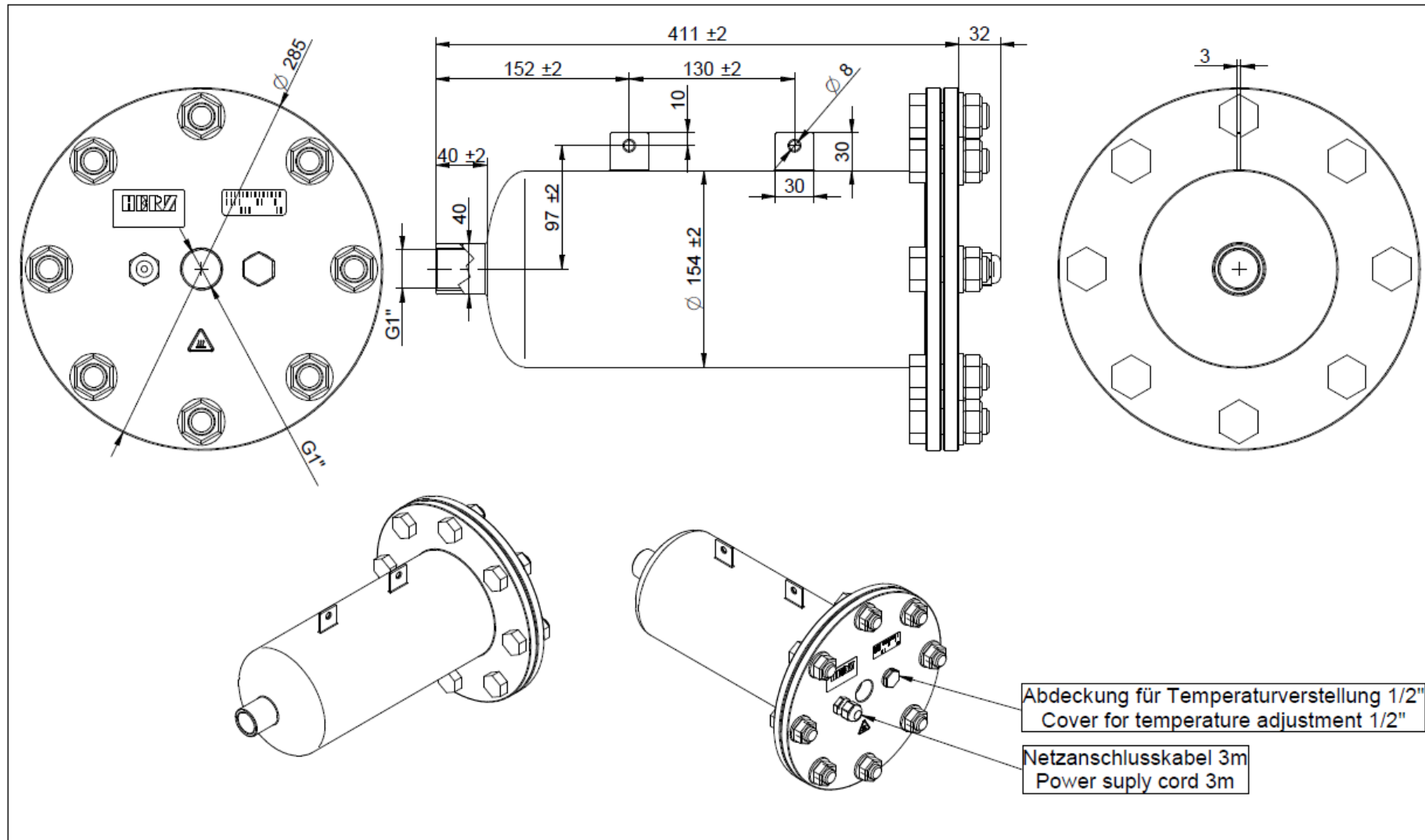


	Maßblatt Dimension sheet	Typ / Type: PN10 - S	Bemerkungen / Notes:	Zeichnung / Drawing Nr. 16.08.2018	Name Rauter
				geändert: 23.07.2019	Seite: 1/1

Allgemeintoleranzen: DIN ISO 2768-1 m / DIN ISO 2768-2 k

Änderungen vorbehalten / Changes reserved

Air heater type PN10 to 17,0 KW



	<b>Maßblatt</b> Dimension sheet	Typ / Type: PN10 - M	Bemerkungen / Notes:	Zeichnung / Drawing Nr: 16.08.2018 geändert: 23.07.2019	Name Rauter
				Änderungen vorbehalten / Changes reserved	

Allgemeintoleranzen: DIN ISO 2768-1 m / DIN ISO 2768-2 k

Änderungen vorbehalten / Changes reserved



## Air heater type PN10 to 17,0 KW

### **HERZ** GmbH

Kunststoff- & Wärmetechnologie  
Biberweg 1  
DE – 56566 Neuwied  
Tel.: +49 (0)2622-8855-0  
Fax: +49 (0)2622-8855-135  
Fax: +49 (0)2622-8855-136  
www.herz-gmbh.com  
info@herz-gmbh.com

### **HERZ** Austria GmbH

Kunststoff- & Wärmetechnologie  
Gleinser Weg 27  
AT – 6141 Schönberg / Tirol  
Tel.: +43 (0)5225-63113  
Fax: +43 (0)5225-6311385  
www.herz-austria.at  
herz.schoenberg@herz-gmbh.com

### **HERZ** Hungária Kft.

Műanyag- és hőlégtéchnika  
Pesti út 284  
HU – 2225 Üllő  
Tel.: +36 (06)29-522400  
Fax: +36 (06)29-522410  
www.herz-hungaria.hu  
herz@herz-hungaria.hu

### **HERZ** Bulgaria OOD

Boul. Assen Jordanov 10  
BG – 1592 Sofia  
Tel.: +359 (0)2-9790351  
www.herz-bulgaria.com  
office@herz-bulgaria.com

### **HERZ** GmbH

Kunststoff- & Wärmetechnologie  
Am Arenberg 26A  
DE – 86456 Gablingen  
Tel.: +49 (0)8230-85085  
Fax: +49 (0)8230-85087  
www.herz-gmbh.com  
robert.einberger@herz-gmbh.com

### **HERZ** Austria GmbH

Kunststoff- & Wärmetechnologie  
Johann-Galler-Str. 20 IZ – NÖ – Nord  
AT – 2120 Wolkersdorf i. Weinviertel  
Tel.: +43 (0)2245-82494-0  
Fax: +43 (0)2245-82494-9  
www.herz-austria.at  
herz.wolkersdorf@herz-gmbh.com

### **HERZ** Polska Sp.z o. o.

Technologie obróbki tworzyw sztucznych  
Ul. Kostrzyńska 30  
PL – 02-979 Warszawa  
Tel.: +48 (0)22-8428583  
Fax: +48 (0)22-8429700  
www.herz-polska.pl  
herz@herz-polska.pl