

Airheater type XS21 to 800W



Function: Air heater for external air supply via compressed air.

Configuration: A highly flexible connection hose (l = 400mm) from the device to the air connection and a connection cable (l = 500mm) enable a comfortable installation radius.
The integrated device protection switches off the device in response and resets itself after cooling down. There is no reset necessary.
If required, an external temperature control or power control is available.

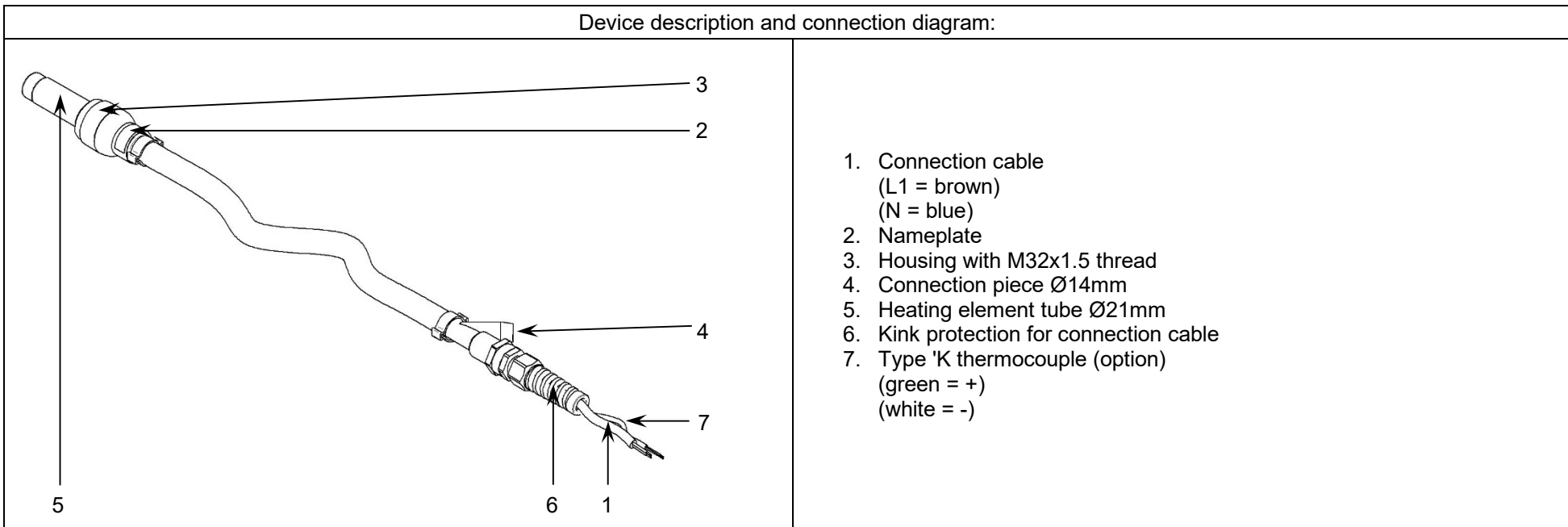
Features: The sturdy housing made of PA6.6 provides an M32x1.5 thread, with which the device can be screwed into a receptacle.
Device is pressure resistant up to 3 bar with free discharge.
Special versions:
- maximum supply air temperature 60°C/140°F

Power: 435 Watt, 550 Watt, 800 Watt
Voltage: 120 VAC, 230 VAC

Technical data:

Item number		on request	5700157	5202431
Voltage	VAC	120	230	
Frequency	Hz	50 / 60		
Power	KW	0,55	0,435	0,8
Current	A	4,6	1,9	3,5
Max. temperature	°C/°F	600/1112		
Min. air volume	l/min	150	110	210
Weight	kg	0,3		
Air intake	Ø mm	14		
Air outlet	Ø mm	15		
Heater tube	Ø mm	21		
Dimensions	mm (L Ø)	113 x 36		
Conformity mark				
Protection class II	<input type="checkbox"/>			





Airheater type XS21 to 800W



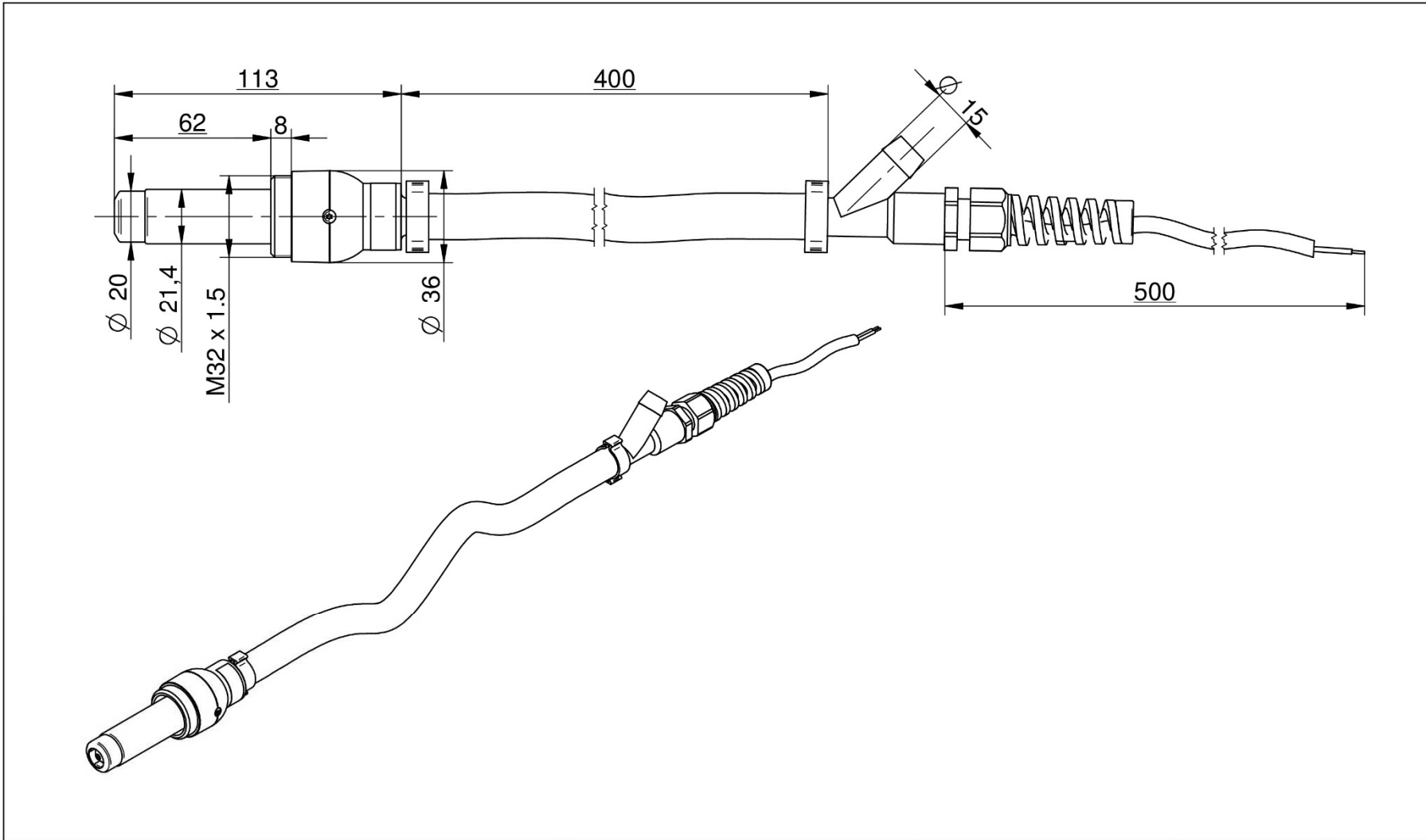
Available versions:

Item no.	Description
on request	Air heater type XS21 120 VAC 550 Watt
5700157	Air heater type XS21 230 VAC 435 Watt
5202431	Air heater type XS21 230 VAC 800 Watt

Accessories:

Item no.	Description
5107282	 Flange connector
5107144	 Tubular nozzle Ø 5mm
5107145	 Tubular nozzle Ø 10mm
5107324	 Spoon-reflector Ø 10 mm for soldering of solder-shrinkage connections and for shrinkage of PVC, PTFE, FEP shrink hose. Push-fit for nozzle Ø 5mm

Airheater type XS21 to 800W



HERZ Austria	Maßblatt Dimension sheet	Typ / Type: XS21	Bemerkungen / Notes:	Zeichnung / Drawing Nr: 19.02.2016 geändert: 18.04.2018	Name Rauter
					Seite: 1/1

Änderungen vorbehalten / Changes reserved

Airheater type XS21 to 800W

HERZ GmbH

Kunststoff- & Wärmetechnologie
Biberweg 1
DE – 56566 Neuwied
Tel.: +49 (0)2622-8855-0
Fax: +49 (0)2622-8855-135
Fax: +49 (0)2622-8855-136
www.herz-gmbh.com
info@herz-gmbh.com

HERZ Austria GmbH

Kunststoff- & Wärmetechnologie
Gleinser Weg 27
AT – 6141 Schönberg / Tirol
Tel.: +43 (0)5225-63113
Fax: +43 (0)5225-6311385
www.herz-austria.at
herz.schoenberg@herz-gmbh.com

HERZ Hungária Kft.

Műanyag- és hőlégtéchnika
Pesti út 284
HU – 2225 Üllő
Tel.: +36 (06)29-522400
Fax: +36 (06)29-522410
www.herz-hungaria.hu
herz@herz-hungaria.hu

HERZ Bulgaria OOD

Boul. Assen Yordanov 10
BG – 1592 Sofia
Tel.: +359 (0)2-9790351
www.herz-bulgaria.com
office@herz-bulgaria.com

HERZ GmbH

Kunststoff- & Wärmetechnologie
Am Arenberg 26A
DE – 86456 Gablingen
Tel.: +49 (0)8230-85085
Fax: +49 (0)8230-85087
www.herz-gmbh.com
robert.einberger@herz-gmbh.com

HERZ Austria GmbH

Kunststoff- & Wärmetechnologie
Johann-Galler-Str. 20 IZ – NÖ – Nord
AT – 2120 Wolkersdorf i. Weinviertel
Tel.: +43 (0)2245-82494-0
Fax: +43 (0)2245-82494-9
www.herz-austria.at
herz.wolkersdorf@herz-gmbh.com

HERZ Polska Sp.z o. o.

Technologie obróbki tworzyw sztucznych
Ul. Kostrzyńska 30
PL – 02-979 Warszawa
Tel.: +48 (0)22-8428583
Fax: +48 (0)22-8429700
www.herz-polska.pl
herz@herz-polska.pl